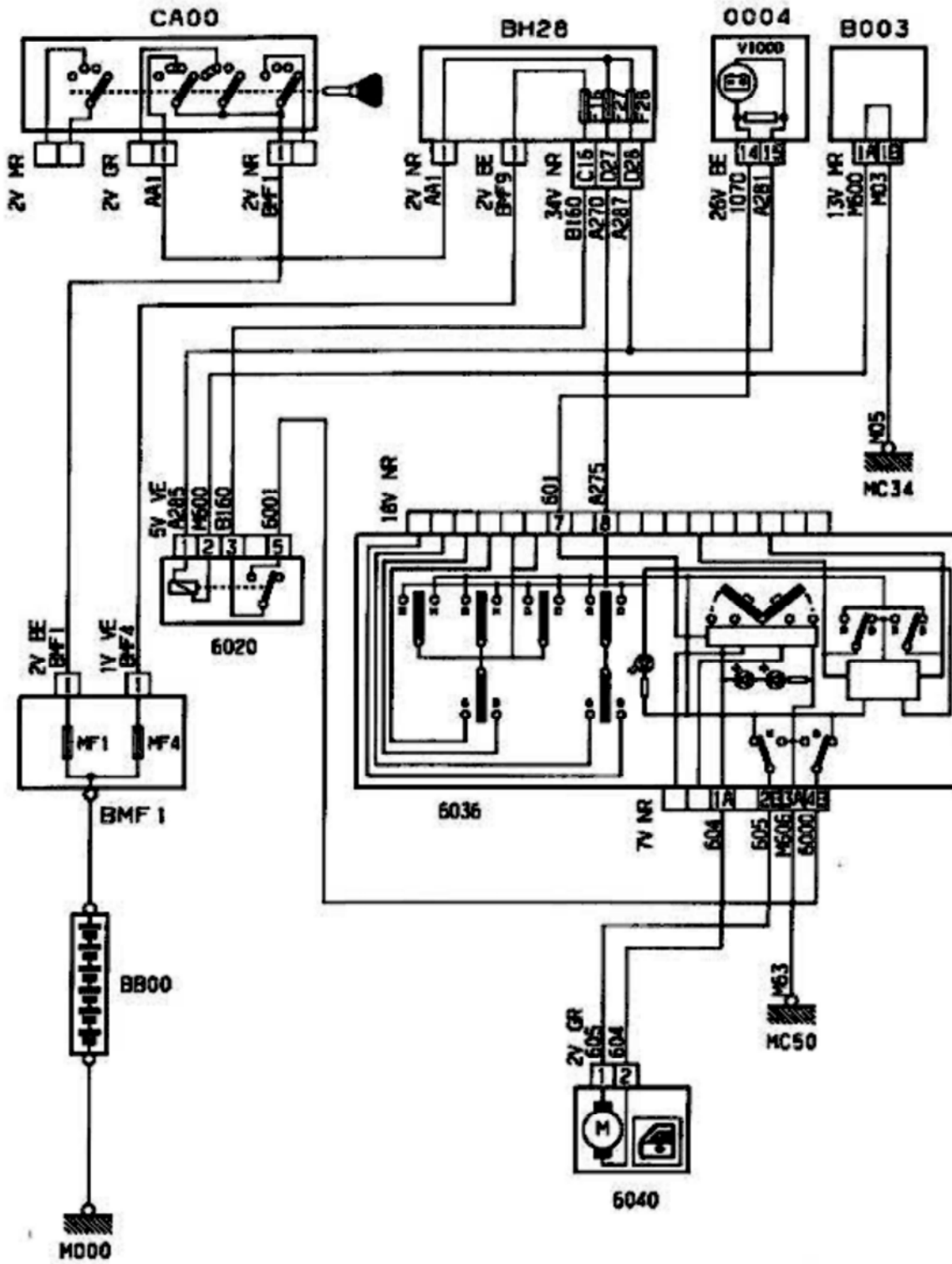


vehicle : 306 new	protections and doors	OPR : 9226	function	electric window
domain				
component				

principle



D3PACT2R